

SONY®

PROFESSIONAL DISC DRIVE UNIT

PDW-U1

XDCAM HD
Professional Disc System


Professional Disc
DL 

MPEG HD422

MPEG HD

MPEG IMX

DVCAM™

OPERATION MANUAL

English

2nd Edition (Revised 1)

WARNING

To reduce the risk of fire or electric shock, do not expose this apparatus to rain or moisture.

To avoid electrical shock, do not open the cabinet. Refer servicing to qualified personnel only.

WARNING

When installing the unit, incorporate a readily accessible disconnect device in the fixed wiring, or connect the power plug to an easily accessible socket-outlet near the unit. If a fault should occur during operation of the unit, operate the disconnect device to switch the power supply off, or disconnect the power plug.

WARNING: THIS WARNING IS APPLICABLE FOR USA ONLY.

If used in USA, use the UL LISTED power cord specified below.

DO NOT USE ANY OTHER POWER CORD.

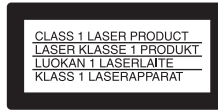
Plug Cap	Parallel blade (NEMA 1-15P Configuration)
Cord	Type NISPT-2 or SPT-2, two 16 or 18 AWG wires
Length	Minimum 1.5 m (4 ft. 11 in.), Less than 2.0 m (7 ft.)
Rating	Minimum 7A, 125V

Using this unit at a voltage other than 120V may require the use of a different line cord or attachment plug, or both. To reduce the risk of fire or electric shock, refer servicing to qualified service personnel.

WARNING: THIS WARNING IS APPLICABLE FOR OTHER COUNTRIES.

1. Use the approved Power Cord (2-core mains lead) / Appliance Connector / Plug that conforms to the safety regulations of each country if applicable.
2. Use the Power Cord (2-core mains lead) / Appliance Connector / Plug conforming to the proper ratings (Voltage, Ampere).

If you have questions on the use of the above Power Cord / Appliance Connector / Plug, please consult a qualified service personnel.



The PDW-U1 is classified as a CLASS 1 LASER PRODUCT.

Laser diode properties

Wavelength: 400 to 410 nm

Emission duration: Continuous

Laser output power: 135 mW (max. of pulse peak), 65 mW (max. of CW)

Tekniska data för laserdiod

Våglängd: 400 till 410 nm

Emissionslängd: Kontinuerlig

Laserut effekt: 135 mW (max. för pulstopp), 65 mW (max. för kontinuerlig våg)

Spesifikasjoner laserdiode

Bølgelengde: 400 til 410 nm

Strålingens varighet: Kontinuerlig

Laserens effekt: 135 mW (maks stråletpunkt), 65 mW (maks ved kontinuerlig stråling)

Laserdiodin ominaisuudet

Aallon pituus: 400 - 410 nm

Välilyksen kesto: Jatkuva

Laserlähdon teho: 135 mW (sykehuipun maks.), 65 mW (jatkuvan aallon maks.)



This label is located inside the right side cover of the unit.

Denna etikett finns på den inre högra sidan av enheten.

Denne mærkat sidder på højre side inde i drevenheden.

Tämä kyltti sijaitsee laitteen kotelon sisäpinnan oikealla puolella.

Dette merket er plassert til høyre på innsiden av enheten.

CAUTION

The use of optical instruments with this product will increase eye hazard.

CAUTION

Use of controls or adjustments or performance of procedures other than those specified herein may result in hazardous radiation exposure.

VAROITUS!

LAITTEEN KÄYTTÄMINEN MUULLA KUIN TÄSSÄ KÄYTTÖOHJEESSA MAINITULLA TAVALLA SAATTAÄ ALTISTAA KÄYTTÄJÄN TURVALLISUUSLUOKAN 1 YLITTÄVÄLLE NÄKYMÄTTÖMÄLLE LASERSÄTEILYLLE.

WARNING

OM APPARATEN ANVÄNDS PÅ ANNAT SÄTT ÄN I DENNA BRUKSANVISNING SPECIFICERATS, KAN ANVÄNDAREN UTSÄTTAS FÖR OSYNLIG LASERSTRÅLNING, SOM ÖVERSKRIDER GRÄNSEN FÖR LASERKLASS 1.

For the customers in the USA

This equipment has been tested and found to comply with the limits for a Class B digital device, pursuant to Part 15 of the FCC Rules. These limits are designed to provide reasonable protection against harmful interference in a residential installation. This equipment generates,

uses, and can radiate radio frequency energy and, if not installed and used in accordance with the instructions, may cause harmful interference to radio communications. However, there is no guarantee that interference will not occur in a particular installation. If this equipment does cause harmful interference to radio or television reception, which can be determined by turning the equipment off and on, the user is encouraged to try to correct the interference by one or more of the following measures;

- Reorient or relocate the receiving antenna.
- Increase the separation between the equipment and receiver.
- Connect the equipment into an outlet on a circuit different from that to which the receiver is connected.
- Consult the dealer or an experienced radio/TV technician for help.

If you have any questions about this product, you may call;

Sony Customer Information Service Center 1-800-222-7669 or <http://www.sony.com/>

Declaration of Conformity	
Trade Name	: SONY
Model	: PDW-U1
Responsible Party	: Sony Electronics Inc.
Address	: 16530 Via Esprillo, San Diego, CA 92127 U.S.A.
Telephone Number	: 858-942-2230

This device complies with Part 15 of the FCC Rules. Operation is subject to the following two conditions: (1) this device may not cause harmful interference, and (2) this device must accept any interference received, including interference that may cause undesired operation.

You are cautioned that any changes or modifications not expressly approved in this manual could void your authority to operate this equipment.

All interface cables used to connect peripherals must be shielded in order to comply with the limits for a digital device pursuant to Subpart B of Part 15 of FCC Rules.

For the customers in Europe

The manufacturer of this product is Sony Corporation, 1-7-1 Konan, Minato-ku, Tokyo, Japan.

The Authorized Representative for EMC and product safety is Sony Deutschland GmbH, Hedelfinger Strasse 61, 70327 Stuttgart, Germany. For any service or guarantee matters please refer to the addresses given in separate service or guarantee documents.

AVERTISSEMENT

Afin de réduire les risques d'incendie ou d'électrocution, ne pas exposer cet appareil à la pluie ou à l'humidité.

Afin d'écarter tout risque d'électrocution, garder le coffret fermé. Ne confier l'entretien de l'appareil qu'à un personnel qualifié.

AVERTISSEMENT

Lors de l'installation de l'appareil, incorporer un dispositif de coupure dans le câblage fixe ou brancher la fiche d'alimentation dans une prise murale facilement accessible proche de l'appareil. En cas de problème lors du fonctionnement de l'appareil, enclencher le dispositif de coupure d'alimentation ou débrancher la fiche d'alimentation.

AVERTISSEMENT

1. Utilisez un cordon d'alimentation (câble secteur à 2 fils)/fiche femelle/fiche mâle conformes à la réglementation de sécurité locale applicable.
2. Utilisez un cordon d'alimentation (câble secteur à 2 fils)/fiche femelle/fiche mâle avec des caractéristiques nominales (tension, ampérage) appropriées.

Pour toute question sur l'utilisation du cordon d'alimentation/fiche femelle/fiche mâle ci-dessus, consultez un technicien du service après-vente qualifié.

Pour les clients en Europe

Le fabricant de ce produit est Sony Corporation, 1-7-1 Konan, Minato-ku, Tokyo, Japon.

Le représentant autorisé pour EMC et la sécurité des produits est Sony Deutschland GmbH, Hedelfinger Strasse 61, 70327 Stuttgart, Allemagne. Pour toute question concernant le service ou la garantie, veuillez consulter les adresses indiquées dans les documents de service ou de garantie séparés.



Cette étiquette est placée sur le panneau latéral de droite de l'unité.

WARNUNG

Um die Gefahr von Bränden oder elektrischen Schlägen zu verringern, darf dieses Gerät nicht Regen oder Feuchtigkeit ausgesetzt werden.

Um einen elektrischen Schlag zu vermeiden, darf das Gehäuse nicht geöffnet werden. Überlassen Sie Wartungsarbeiten stets nur qualifiziertem Fachpersonal.

WARNUNG

Beim Einbau des Geräts ist daher im Festkabel ein leicht zugänglicher Unterbrecher einzufügen, oder der Netzstecker muss mit einer in der Nähe des Geräts befindlichen, leicht zugänglichen Wandsteckdose verbunden werden. Wenn während des Betriebs eine Funktionsstörung auftritt, ist der Unterbrecher zu betätigen bzw. Der Netzstecker abzuziehen, damit die Stromversorgung zum Gerät unterbrochen wird.

WARNUNG

1. Verwenden Sie ein zugelassenes Netzkabel (2-Leiter-Netzkabel) und einen Gerätestecker, die den Sicherheitsvorschriften des jeweiligen Landes entsprechen, falls zutreffend.
2. Verwenden Sie ein Netzkabel (2-Leiter-Netzkabel) und einen Gerätestecker, die den Leistungsanforderungen (Spannung, Stromstärke) genügen.

Falls Sie Fragen zum Gebrauch des obigen Netzkabels/Gerätesteckers haben, wenden Sie sich bitte an qualifiziertes Kundendienstpersonal.

Für Kunden in Europa

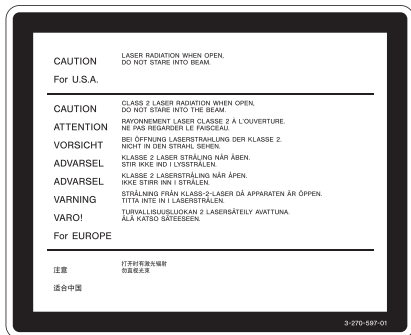
Der Hersteller dieses Produkts ist Sony Corporation, 1-7-1 Konan, Minato-ku, Tokyo, Japan.

Der autorisierte Repräsentant für EMV und Produktsicherheit ist Sony Deutschland GmbH, Hedelfinger Strasse 61, 70327 Stuttgart, Deutschland. Bei jeglichen Angelegenheiten in Bezug auf

Kundendienst oder Garantie wenden Sie sich bitte an die in den separaten Kundendienst- oder Garantiedokumenten aufgeführten Anschriften.

Eigenschaften der Laserdiode

Wellenlänge: 400 bis 410 nm
Emissionsdauer: Ununterbrochen
Laser-Ausgangsleistung: 135 mW (max. Impulsspitze), 65 mW (max. Dauerstrich)



Dieser Aufkleber befindet sich auf der Innenseite der rechten Seitenabdeckung der Einheit.

Table of Contents

Chapter 1 Overview

1-1 Features	9
1-2 Example of Use	10
1-3 Supplied Software	11
1-3-1 List of the Software	11
1-3-2 System Requirements	12

Chapter 2 Names and Functions of Parts

2-1 Front Panel	14
2-2 Rear Panel	15

Chapter 3 Preparations

3-1 Software Installation	17
3-1-1 Windows Installation	17
3-1-2 Macintosh Installation	18
3-2 Connections and Settings	19
3-2-1 Connecting to a Computer	19
3-3 Power Preparations	20
3-4 Handling Discs	20
3-4-1 Discs Used for Reading and Writing	20
3-4-2 Notes on Handling	20
3-4-3 Write-Protecting Discs	21
3-4-4 Loading and Unloading a Disc	21
3-4-5 To Eject Discs With the Unit Powered Off	21
3-4-6 Media Protection Function	22

Chapter 4 Handling Files

4-1 Overview	23
4-1-1 Directory Structure	23
4-1-2 File Operation Restrictions	24
4-2 Preparations for File Access	28
4-3 File Access Operations	28

Chapter 5 Using the Software

5-1 Starting and Exiting the Utility Software	30
5-1-1 Starting	30
5-1-2 Exiting	31
5-2 Starting and Exiting the PDZ-1 Proxy Browsing Software (Windows only)	31
5-2-1 Starting	31
5-2-2 Exiting	32
5-3 Starting and Exiting the PDZ-VX10 XDCAM Viewer (Windows only)	32
5-3-1 Starting	32
5-3-2 Exiting	32
5-4 Starting and Exiting the PDZK-P1 XDCAM Transfer (Macintosh only)	33
5-4-1 Starting	33
5-4-2 Exiting	33

Appendix

Important Notes on Operation	34
Condensation	34
Specifications.....	34

1-1 Features

The PDW-U1 is a compact and lightweight disc drive which, when connected to a nonlinear editor, enables reading and writing of video and audio data. In combination with a laptop computer, it can be used in the field, and together with a nonlinear editor, it provides an ideal inexpensive video production system. The features of the PDW-U1 include the following.

Support for all XDCAM formats

Reading and writing are supported in all formats adopted by the XDCAM¹⁾ series, that is, MPEG HD422, MPEG HD, MPEG IMX, and DVCAM, in addition to all bit rates.

1) XDCAM is a trademark of Sony Corporation.

Support for dual-layer discs

In addition to conventional single-layer discs (23.3 GB), dual-layer discs (50 GB) are also supported.

IT-friendly system through USB interface

The interface is the very widely used high-speed USB (USB 2.0), enabling easy connection to a computer. The PDW-U1

can be used in the same way that an external drive is used to load data files from the drive into the computer, and to write data files from the computer to the drive.

High data transfer rates

The newly-developed optical drive allows high-speed access (maximum read speed 120 Mbps, maximum write speed 84 Mbps) from a nonlinear editing system.

Preview and simple editing using supplied software

Using the supplied PDZ-VX10 XDCAM Viewer (for Windows), you can preview material simply. Further using the supplied PDZ-1 Proxy Browsing Software (for Windows), you can carry out simple editing and adding of metadata. Additionally, the supplied PDZK-P1 XDCAM Transfer (for Macintosh) allows the XDCAM material to be used with the Apple Final Cut Pro¹⁾ video editing software.

1) Final Cut Pro is a trademark of Apple, Inc., registered in the United States and other countries.

Note

It is not possible to write back the results of editing to the disc inserted in the PDW-U1 using the Apple Final Cut Pro or PDZK-P1 XDCAM Transfer.



Lightweight and compact field specification

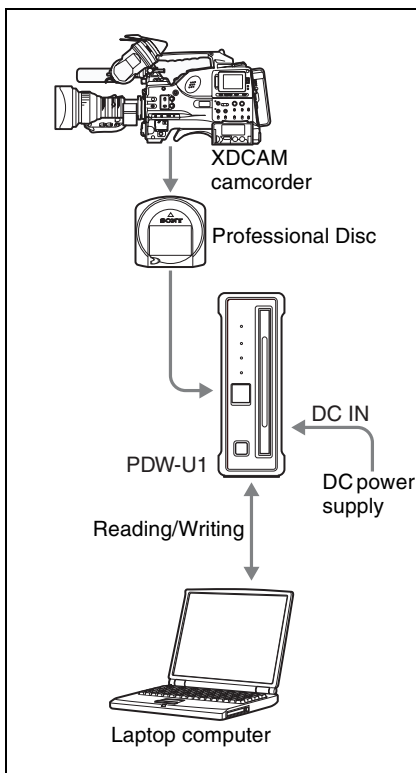
The unit is designed to be lightweight and compact for use in the field. The mechanical construction is highly resistant to shocks and dust.

Menu operation from a computer using the utility software

By installing the supplied utility software in a computer connected to this unit, you can make settings or upgrade the unit by means of menu operations on the computer.

1-2 Example of Use

The following figure shows an example system for reading or writing material recorded with a XDCAM camcorder on a computer connected to this unit.



1-3 Supplied Software

1-3-1 List of the Software

The following software are supplied with the unit.

Software	Supported OS	Function	Ref. page
XDCAM Drive Software	Windows	Allows video and audio data to be handled as files on a computer connected to this unit.	17
Utility software	Windows/ Macintosh	Provides the following functions on a computer connected to this unit. <ul style="list-style-type: none"> • Displaying device information • Disc format and recovery • Firmware updates • Making settings (Windows only) 	17, 30, Help
PDZ-1 Proxy Browsing Software	Windows	Organizes clips recorded on a Professional Disc. You can play back clips that have been shot, and select and mark particular portions for subsequent editing. With the PDZ-1 software, you can also create a simple editing list by arranging clips and portions of video around marked shots. By connecting to a Professional Disc device, you can also attach marks and comments to recorded clips.	17, 29, 31, Help
PDZ-VX10 XDCAM Viewer	Windows	This allows material recorded on a Professional Disc (MXF files) to be played back as audio and video, for checking. You can play not only proxy AV data, but also the material at its original image quality. You can also check the MXF file metadata, start timecode, and so on.	17, 32, Help
PDZK-P1 XDCAM Transfer	Macintosh	You can edit material recorded on a Professional Disc (MXF files) with the Apple Final Cut Pro video editing software.	18, 29, 33, Help



1-3-2 System Requirements

Using any of the supplied software requires a computer meeting the following conditions.

Windows

Item	Software	Requirement
Processor	XDCAM Drive Software	Intel Core 2 Duo1.83 GHz or higher
	Utility Software	
	PDZ-VX10 XDCAM Viewer	Intel Pentium 4 3 GHz or higher or Intel Core Duo1.83 GHz or higher
	PDZ-1 Proxy Browsing Software	Pentium M 1 GHz or higher
Memory	XDCAM Drive Software	1 GB or more
	Utility Software	
	PDZ-VX10 XDCAM Viewer	
	PDZ-1 Proxy Browsing Software	512 MB or more
Free hard disk space	XDCAM Drive Software	100 MB or more
	Utility Software	20 MB or more
	PDZ-VX10 XDCAM Viewer	100 MB or more
	PDZ-1 Proxy Browsing Software	<ul style="list-style-type: none"> • At time of installation: 100 MB or more • For proxy AV data: approx. 1.4 GB per 90 min. (For the Work folder for storing material)
Monitor	XDCAM Drive Software	—
	Utility Software	
	PDZ-VX10 XDCAM Viewer	Resolution: 1024 x 768 pixels or better
	PDZ-1 Proxy Browsing Software	<ul style="list-style-type: none"> • Resolution: 1024 x 768 pixels or better • Color: XGA 16-bit or better
Operating system	XDCAM Drive Software	Microsoft Windows XP Professional Service Pack 2 or later, or Microsoft Windows Vista Business/Ultimate 32-bit or later
	Utility Software	
	PDZ-VX10 XDCAM Viewer	
	PDZ-1 Proxy Browsing Software	Microsoft Windows XP Professional Service Pack 1 or later, or Microsoft Windows Vista Business/Ultimate 32-bit or later

Item	Software	Requirement
Web browser	XDCAM Drive Software	—
	Utility Software	
	PDZ-VX10 XDCAM Viewer	
	PDZ-1 Proxy Browsing Software	Internet Explorer 6.0 Service Pack 1 or later
Other	XDCAM Drive Software	High-Speed USB host controller is necessary to connect to this unit.
	Utility Software	Hi-Speed USB (USB 2.0)
	PDZ-VX10 XDCAM Viewer	DirectX 9.0c or later installed ^{a)}
	PDZ-1 Proxy Browsing Software	<ul style="list-style-type: none"> • DirectX 8.1b or later installed • Windows Media Player 9.0 or later is necessary to use ConvertToASF function.

a) If the computer is equipped with a GPU that supports DirectX 9.0c, the playback performance will be improved.

Macintosh

Item	Requirement
Processor	PowerPC G5 2GHz, Intel Core 2 Duo 2 GHz, Intel Xeon 2 GHz or higher
Memory	1 GB or more
Free hard disk space	2 GB or more
Monitor	Resolution: 1280 × 1024 pixels or better
Operating system	Mac OS X v10.4.11 or later
Other	<ul style="list-style-type: none"> • Hi-Speed USB (USB 2.0) • AGP Quartz Extreme • PCI ExpressGraphic Card • QuickTime 7.3.1 or later • Final Cut Pro 6.0.2 or later, or latest Apple Pro Application

For more details of each software, see page 30.

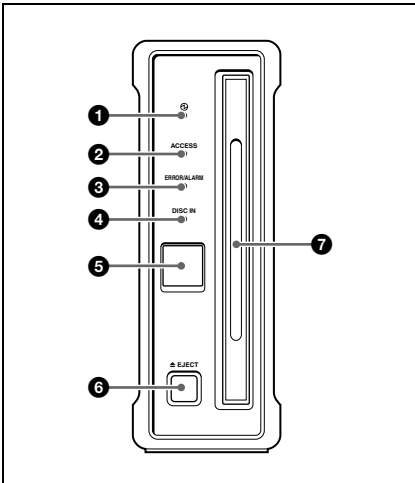
Note

With regard to the above operating environment, operation is not guaranteed on all computers.

Names and Functions of Parts

Chapter 2

2-1 Front Panel



1 (power) indicator

Lights green when the (power) button on the rear panel is on.

2 ACCESS indicator

Flashes blue when the disc is being accessed from the computer. If the (power) button on the rear panel is pressed, turning it off, then the unit goes into the standby mode.

Note

Do not press the (power) button on the rear panel to turn off, or disconnect the power cord while the ACCESS indicator is

flashing. Doing so may lead to a loss of data on the disc.

3 ERROR/ALARM indicator

If a fault occurs in the unit, this lights continuously or flashes red, as shown in the following table.

Indicator	Meaning
Lit continuously	Condensation has occurred.
Flashing four times a second	An error occurred (principally a hardware default).
Flashing once a second	An alarm not listed above occurred.

Note

The indicator may flash or light only for five seconds depending on the alarm.

You can check alarms generated by this unit, using the alarm log of the utility software. For details, refer to the help file of the utility software.

If the indicator is flashing four times a second, and it is not possible to check the alarm log, a malfunction may have occurred. In this case, contact your Sony service representative.

When the error is eliminated, the indicator goes off.

4 DISC IN indicator

Lights green when a disc is loaded.

5 Manual eject mechanism

When there is no power supply to the unit, to eject the disc, remove the cover over this

part, then turn the screw counterclockwise with a Phillips screwdriver.

For details, see 3-4-5 “To Eject Discs With the Unit Powered Off” (page 21).

6 EJECT button

Ejects a disc (see page 21).

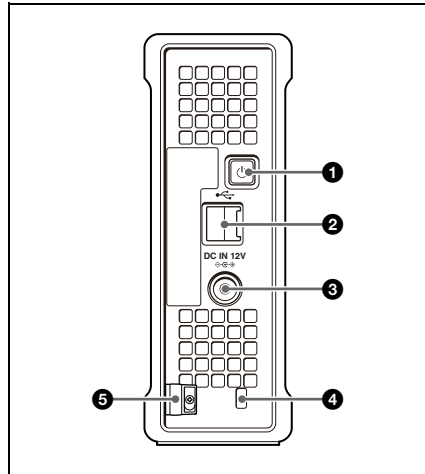
Note

This button is disabled while the disc is being accessed. Either stop accessing the disc before ejecting, or eject by an operation from the computer.

7 Disc slot

With the label surface on the right, insert the disc (see page 21).

2-2 Rear Panel



1 (power) button

Use this button to switch between active and standby.

2 USB connector (Hi-speed USB)

Use the supplied USB cable to connect to the computer.

Note

If the video and audio are not output on a computer connected using the USB connector, try disconnecting the USB cable, and reconnect making sure it is correctly inserted.

3 DC power inlet connector

Connect to the AC power using the supplied AC adaptor and a power cord (not supplied).

4 Security slot

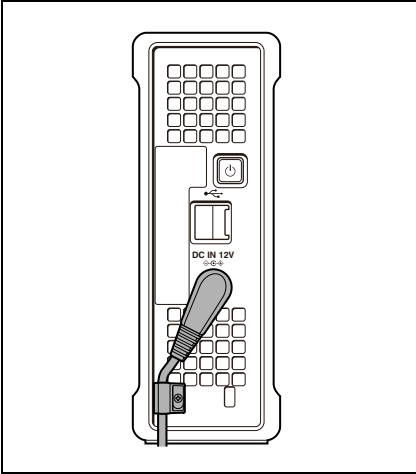
You can fit a commercially available security cable into this slot.

For information about how to use your security cable, refer to the instructions provided with the security cable.

5 Cable clamber

Use this clamber to fix the cable of the AC adaptor.

Clip the cable with the clamber as shown in the following figure.



3-1 Software Installation

To use this unit, the necessary software must first be installed on the computer to which it is connected.

For details of software operating environment requirements, see page 12.

3-1-1 Windows Installation

XDCAM Drive Software and utility software

Installing the XDCAM Drive Software in the computer allows video and audio data to be handled as files (*see Chapter 4, “Handling Files” (page 23)*). In order to check and manipulate the settings on this unit from a computer, install the utility software on the computer connected to this unit.

Load the supplied PDW-U1 CD-ROM into the computer’s CD-ROM drive, and run the program Setup.exe in the XDCAM Drive Software folder on the CD-ROM. Follow the directions on screen to install the XDCAM Drive Software, and then the utility software.

Note

If an old version of the XDCAM Drive Software is already installed, it must be uninstalled before you install the new version. Use “Add or Remove Programs” on the Control Panel to remove the old version of the Sony XDCAM Drive Software. After doing so, be sure to restart the computer.

To install the PDZ-1 Proxy Browsing Software

Load the supplied XDCAM Application Software CD-ROM into the computer’s CD-ROM drive, and run the program Setup.exe in the PDZ-1 folder on the CD-ROM.

For more details, refer to the ReadMe file of the PDZ-1.

To install the PDZ-VX10 XDCAM Viewer

Load the supplied XDCAM Application Software CD-ROM into the computer’s CD-ROM drive, and run the program Setup.exe in the PDZ-VX10 folder on the CD-ROM.

For more details, refer to the help file of the PDZ-VX10.

3-1-2 Macintosh Installation

Utility software

To install the utility software, load the supplied PDW-U1 CD-ROM into the computer's CD-ROM drive, and then run the program U1Utility.pkg, which is located in the U1_Utility folder of the Mac folder on the CD-ROM.

To install the PDZK-P1 XDCAM Transfer

Load the supplied XDCAM Application Software CD-ROM into the computer's CD-ROM drive, and run the program XDCAM Transfer.pkg in the PDZK-P1 folder on the CD-ROM.

For more details, refer to the help file of the PDZK-P1.

3-2 Connections and Settings

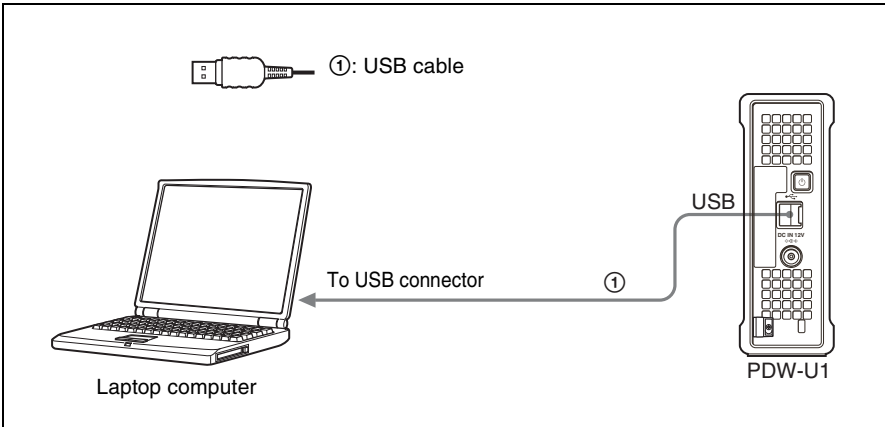
3-2-1 Connecting to a Computer

By connecting this unit to a computer, you can use the utility software, and the other supplied software.

Notes

- The XDCAM Drive Software (*see page 18*) must be installed in advance.
- To disconnect the PDW-U1 from a Windows computer, run the “Safely Remove Hardware” dialog, and then disconnect the cable.

Example connection



3-3 Power Preparations

This unit can be powered by AC adaptor. Connect a power cord and the AC adaptor to the DC power inlet connector (*page 15*) on the rear panel of the unit.

Note

It is not possible to power this unit through a USB cable.

3-4 Handling Discs

3-4-1 Discs Used for Reading and Writing

This unit uses the following professional discs for reading and writing:

- PFD23 (capacity 23.3 GB)
- PFD23A (capacity 23.3 GB)
- PFD50DLA (capacity 50.0 GB)

Note

This unit cannot read or write the following discs.

- Blu-ray Disc
- Professional Disc for Data

3-4-2 Notes on Handling

Handling

The Professional Disc is housed in a cartridge, and is designed to allow handling free of risk from dust or fingerprints. However, if the cartridge is subjected to a severe shock, for example by dropping it, this can result in damage or scratching of the disc. If the disc is scratched, it may be impossible to record video/audio, or to play back the content recorded on the disc. The discs should be handled and stored carefully.

- Do not touch the surface of the disc itself within the cartridge.
- Deliberately opening the shutter may cause damage.
- Do not disassemble the cartridge.
- The supplied adhesive labels are recommended for indexing discs. Apply the label in the correct position.

Storage

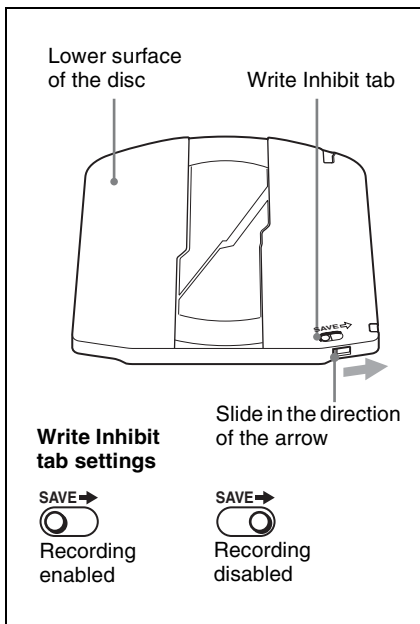
- Do not store discs where they may be subjected to direct sunlight, or in other places where the temperature or humidity is high.
- Do not leave cartridges where dust may be able to gain ingress.
- Store cartridges in their cases.

Care of the discs


- Remove dust and dirt on the outside of a cartridge using a soft dry cloth.
- If condensation forms, allow ample time to dry before use.

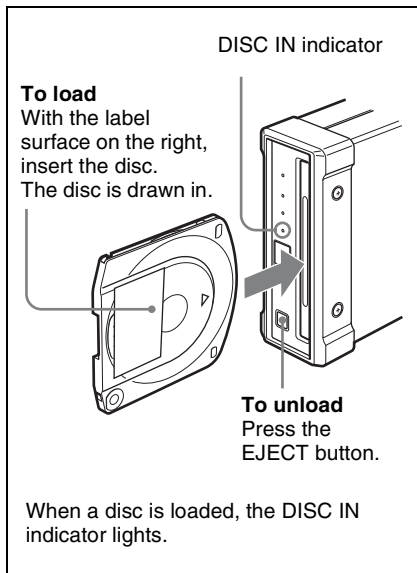
3-4-3 Write-Protecting Discs

To protect the content recorded on the disc from accidental erasure, move the write-protect tab on the lower surface of the disc in the direction of the arrow, as shown in the following figure.



3-4-4 Loading and Unloading a Disc

To load and unload a disc, press  (power) button to turn the unit on and light the indicator, and follow the procedures indicated in the next illustration.



Note

If an unformatted disc is loaded to the unit when the unit is connected to a Macintosh computer, select U1 Utility > Eject from the menu of the Utility software to unload the disc.

3-4-5 To Eject Discs With the Unit Powered Off

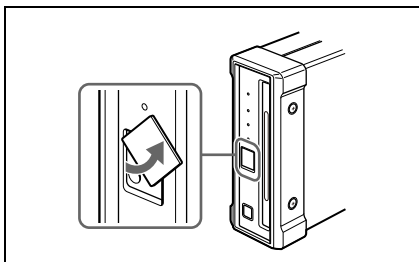
When the power is not supplied, it may not be possible to eject discs by pressing the EJECT button. In these situations, you can use the following as an emergency procedure to eject a disc manually.

- 1 Power the unit off.

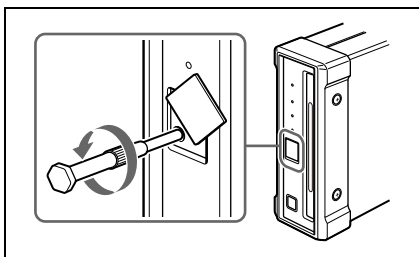


- 2 Turn the cover of the manual eject mechanism on the front panel counterclockwise, as shown in the figure.

Be careful not to turn the cover more than necessary.



- 3 Check the position of the screw, then using a Phillips screwdriver, turn the screw counterclockwise until the disc is ejected.




After ejecting the disc, it is not necessary to return the screw to its original position. The next time the unit is powered on, normal operation will resume.

- 4 Replace the cover.

3-4-6 Media Protection Function

This unit is equipped with a media protection function.

The media protection function means that when a disc is loaded in the unit, if you press the  (power) button on the rear panel, turning it off, or disconnect the power cord to shut off the AC supply, the unit switches automatically to standby-off mode, and prevent a disc error.

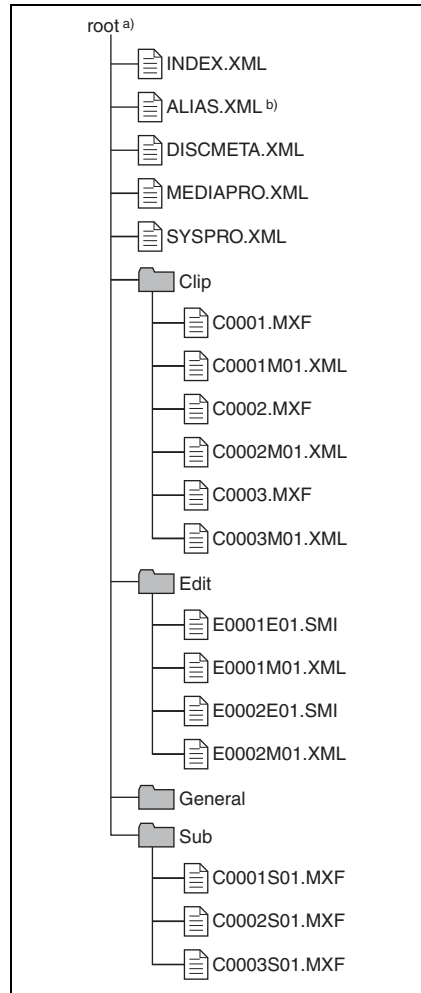
4-1 Overview

When a computer is connected to this unit, you can handle video and audio data as files.

4-1-1 Directory Structure

The following figure shows the directory structure of discs visible to a remote computer.

Windows

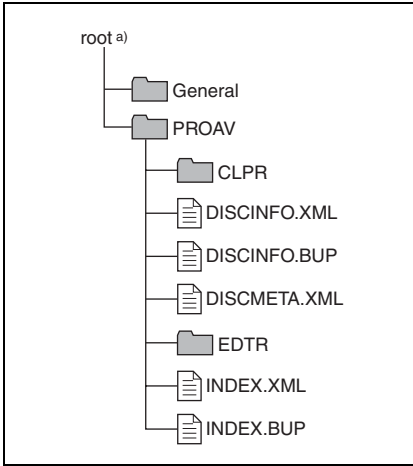


a) Root directory

b) Only when Naming Form is set to “free” in the File Name Setting section of the Option setting screen of the utility software.



Macintosh



a) Root directory

4-1-2 File Operation Restrictions

This section explains which operations are possible on files stored in each directory.

Root directory

File name	Content	Operations				
		Read	Overwrite	Rename	Create	Delete
INDEX.XML	Contains data for management of the audio/video material on the disc.	Yes	No	No	No	No
ALIAS.XML ^{a)}	Contains conversion tables for assigning user-defined names to clips and clip lists.	Yes	No	No	No	No
DISCMETA.XML	Contains metadata to indicate the disc properties.	Yes	Yes ^{b)}	No	No	No

File name	Content	Operations				
		Read	Overwrite	Rename	Create	Delete
MEDIAPRO.XML	Contains a list of audio/video material on the disc, basic properties, related information, and information about access methods.	Yes	No	No	No	No
SYSPRO.XML	Contains information about device system settings and menu settings.	Yes	No	No	No	No
Other files	Files other than the above	—	No	—	No	—

- a) Only when Naming Form is set to “free” in the File Name Setting section of the Option setting screen of the utility software.
 b) Only files which can be written by an XDCAM device.

Notes

- Directories cannot be created in the root directory.
- The directories in the root directory (Clip, Edit, Sub, PROAV and General) cannot be deleted or renamed.

Clip directory

File name	Content	Operations				
		Read	Overwrite	Rename	Create	Delete
C*.MXF ^{a)}	Clip file created by recording (MXF file) *: 0001 to 9999	Yes	Yes ^{b) c)}	Yes	Yes ^{b)}	Yes ^{d)}
C*M01.XML ^{a)}	Metadata file generated automatically when C*.MXF file is created. *: 0001 to 9999	Yes	Yes ^{e)}	No ^{f)}	No ^{g)}	No ^{h)}
Other files	Files other than the above	—	No	—	No	—

- a) The unit can handle files with user-defined names in the “C*” part.
 b) Only files which are 2 seconds or longer in length, in a format matching the format (system frequency) and recording format

- (MPEG HD/IMX and number of audio channels) of the recorded sections of the disc, and which can be overwritten by an XDCAM device.
 c) Overwriting is not possible.

- d) When the “Make the drives RecInhibit.” check box is not checked in the Utility Software, you can select and delete any clip.
- e) Only files which can be written by an XDCAM device.
- f) When the “C*” part of a C*.MXF file name is changed, a C*M01.XML file with the same name in the “C*” part is also changed automatically.

- g) When a C*.MXF file is created, a C*M01.XML file with the same name in the “C*” part is created automatically.
- h) When a C*.MXF file is deleted, a C*M01.XML file with the same name in the “C*” part is also deleted automatically.

Note

Directories cannot be created in the Clip directory.

Edit directory

File name	Content	Operations				
		Read	Overwrite	Rename	Create	Delete
E*E01.SMI a)	Clip list file *: 0001 to 0099	Yes	Yes b)	Yes	Yes c)	Yes d)
E*M01.XML a)	Metadata file generated automatically when E*E01.MXF file is created. *: 0001 to 0099	Yes	Yes b)	No e)	No f)	No g)
Other files	Files other than the above	—	No	—	No	—

- a) The unit can handle files with user-defined names in the “E*” part.
- b) Only files which can be written by an XDCAM device. Partial writing is not possible.
- c) Only files which can be written by an XDCAM device.
- d) When the “Make the drives RecInhibit.” check box is not checked in the Utility Software.
- e) When the “E*” part of an E*01.SMI file name is changed, an E*M01.XML file with the same name in the “E*” part is also changed automatically.
- f) When an E*E01.SMI file is created, an E*M01.XML file with the same name in the “E*” part is also generated automatically.
- g) When an E*E01.SMI file is deleted, an E*M01.XML file with the same name in the “E*” part is also deleted automatically.

Note

Directories cannot be created in the Edit directory.

Sub directory

File name	Content	Operations				
		Read	Overwrite	Rename	Create	Delete
C*S01.MXF ^{a)}	Proxy AV data (MXF file) generated automatically when a C*.MXF file is created. *: 0001 to 9999	Yes	No	No ^{b)}	No ^{c)}	No ^{d)}
Other files	Files other than the above	—	No	—	No	—

- a) The unit can handle files with user-defined names in the “C*” part.
- b) When the “C*” part of a C*.MXF file name is changed, a C*S01.MXF file with the same name in the “C*” part is changed automatically.
- c) When a C*.MXF file is created, a C*S01.XML file with the same name in the “C*” part is generated automatically.

- d) When a C*.MXF file is deleted, the C*S01.XML file with the same name in the “C*” part is also deleted automatically.

Note

Directories cannot be created in the Sub directory.

General directory

File name	Content	Operations				
		Read	Overwrite	Rename	Create	Delete
Any file		Yes	Yes	Yes ^{a)}	Yes	Yes ^{b)}

- a) UTF-8 file names can be up to 63 bytes in length. (Depending on the character type, file names (including extension) may be limited to 21 characters.)
- b) When the “Make the drives RecInhibit.” check box is not checked in the Utility Software.

The following directory operations are possible in the General directory.

- Directory creation (up to 64 levels, including the General directory)
- Deletion and renaming of directories



4-2 Preparations for File Access

- 1 Connect this unit to a computer (page 19).
- 2 Turn this unit and the computer on.
- 3 In the utility software setup menu, set items as required.

For details of the setup menu, refer to the help file of the utility software.

- 4 Insert a disc into this unit (page 21).

4-3 File Access Operations

Accessing files with nonlinear editing software

For details of the file access operations, refer to the manual provided with the editing software to be used.

Accessing files with Explorer/Finder

Start Windows Explorer or Macintosh Finder and check that a drive letter has been assigned to this unit. (The drive letter will differ depending on the number of other peripherals connected to the remote computer.)

You can perform file operations on the disc loaded in this unit in the same way that you operate on local drives and files on network computers.

Note

All file operations are not possible for some types of files.

For details, see 4-1-2 “File Operation Restrictions” (page 24).

To eject discs from a remote computer

For Windows, right click the icon representing this unit in Explorer, and select Eject from the menu which appears.

On a Macintosh, click the Eject button to the right of the Finder icon for this unit, or drag to the eject icon in the Dock.



Using PDZ-1 Proxy Browsing Software (Windows only)

When a computer with the PDZ-1 Proxy Browsing Software installed is connected to this unit, you can transfer the proxy AV data and metadata files recorded on a disc to the computer. On the computer side, PDZ-1 enables you to browse the proxy AV data, add or modify metadata (titles, comments, essence marks, etc.), or create a clip list.

For the functions and operation details of the PDZ-1 Proxy Browsing Software, refer to the help file.

Using the PDZK-P1 XDCAM Transfer (Macintosh only)

Using the PDZK-P1 XDCAM Transfer, you can transfer data recorded in an XDCAM device as a file to the Apple Final Cut Pro video editing software. You can also browse transferred proxy AV data, and view clips and thumbnails.

For more details of the functions and operating methods of the PDZK-P1 XDCAM Transfer, refer to the help file.

Note

The results of editing cannot be written back to the disc loaded in the PDW-U1 using the PDZK-P1 XDCAM Transfer.

5-1 Starting and Exiting the Utility Software

5-1-1 Starting

First make sure that this unit is connected to the computer.

For connection details, see 3-2-1 “Connecting to a Computer” (page 19).

On a Windows computer

With the computer connected to this unit, carry out any of the following.

- Open the folder in which the utility software is installed, then double-click on U1_Utility.exe.
- Click the Start button, and then select “All Programs” > “Sony XDCAM Drive” > “U1 Utility.”

This displays the home window of the utility software.

Notes

- When you are using Windows XP, you must log on to the computer as a user with Computer Administrator privileges to start the utility software.
- When you log into Windows Vista as an Administrator and start this software with User Account Control enabled, a dialog appears asking for permission to

continue. Click the Continue button to continue.

- When you are using Windows Vista, privileges differ as follows depending on whether User Account Control is enabled or disabled.
 - When User Account Control is enabled: The utility software demands Administrator privileges and Windows Vista opens a dialog asking you to confirm the elevation of privileges from a limited user account to an Administrator account. If you approve the elevation of privileges, the utility software will run with Administrator privileges. In this case, you can use all the functions of the utility software. If you attempt to start the utility software without approving the elevation of privileges, a dialog appears to inform you that the software will run under a limited user account. It also informs you which restrictions will be imposed. If you start the utility software in limited mode, you cannot change the settings in the User Settings screen or use a log deletion function.
 - When User Account Control is disabled: Windows Vista will not open a dialog confirming the elevation of privileges and the utility software will run with Administrator privileges. In this case, you can use all the functions of the utility software.

On a Macintosh computer

Open the folder in which the utility software is installed, and then double-click U1 Utility.

This displays the home window of the utility software.

5-1-2 Exiting

On a Windows computer

Click the × (close) button in the top right corner of the window.

On a Macintosh computer

From the U1 Utility menu, select “Exit U1 Utility.”

5-2 Starting and Exiting the PDZ-1 Proxy Browsing Software (Windows only)

5-2-1 Starting

First make sure that this unit is connected to the computer.

For connection details, see 3-2-1 “Connecting to a Computer” (page 19).

With the computer connected to this unit, carry out any of the following.

- **Copying Data to the PC Before Operation (File Download Mode):**
Click the Windows Start button, then select “All Programs” > “PDZ-1” > “PDZ-1”.
If the PDZ-1 software is started for the first time after installation, the Browse for Folder window appears. Select the folder in which the PDZ-1 data is to be saved in this window.
From the second time you start the application on, the PDZ-1 main window appears.
- **Reading and Writing Data Directly from/to a Professional Disc (Direct Access Mode):**
Click the Windows Start button, then select “All Programs” > “PDZ-1” > “PDZ-1 Direct Mode”.
The PDZ-1 main window appears. The title of the main window is “PDZ-1 FAM Direct Mode.”

5-2-2 Exiting

On the menu bar, click “File” > “Exit” in turn.

5-3 Starting and Exiting the PDZ-VX10 XDCAM Viewer (Windows only)

5-3-1 Starting

First make sure that this unit is connected to the computer.

For connection details, see 3-2-1 “Connecting to a Computer” (page 19).

With the computer connected to this unit, carry out any of the following.

- Click the Windows Start button, and then select “All Programs” > “Sony XDCAM Viewer.”
- Double click an MXF file in Windows Explorer or right click and select “Play with Sony XDCAM Viewer.” (A new instance of XDCAM Viewer starts with the file loaded every time you double click an MXF file.)
- Double click the “Sony XDCAM Viewer” icon on the desktop (when you have created a shortcut icon).

5-3-2 Exiting

Do one of the following.

- Select “Exit” in the “File” menu.
- Click the x (close) button in the top right corner of the window.



5-4 Starting and Exiting the PDZK-P1 XDCAM Transfer (Macintosh only)

5-4-1 Starting

First make sure that this unit is connected to the computer.

For connection details, see 3-2-1 “Connecting to a Computer” (page 19).

With the computer connected to this unit, carry out any of the following.

- Open the folder that you saved the PDZK-P1, and double click “XDCAM Transfer”.
- Double click the XDCAM Transfer icon in the Finder.
- Select “File” > ”Import” > ”Sony XDCAM...”

When this software is launched, an icon is displayed in the Dock.

5-4-2 Exiting

Select “Quit XDCAM Transfer” from “XDCAM Transfer” menu.


Appendix

Important Notes on Operation

Condensation

When this unit is moved from a cold place to a warmer place, or operated in high humidity, condensation may form on the optical pickup. If the unit is operated in this state, it may make correct reading and writing impossible.

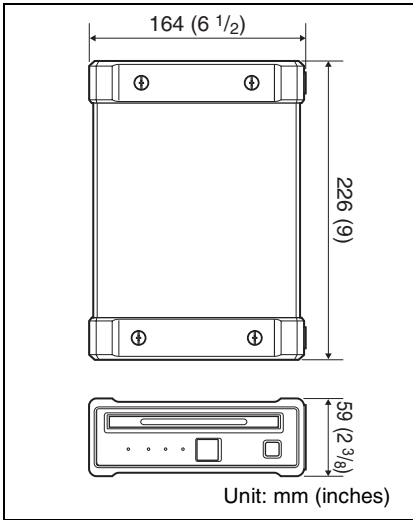
Note the following points, to avoid problems with condensation.

- If moving the unit in conditions where condensation is possible, make sure the disc is inserted in advance.
- When the  (power) button is on, if the ERROR/ALARM indicator lights, and “HUMID!” appears in the utility software alarm log, do not insert a disc until the indicator has gone off.

Specifications

General

Power requirements	DC 12 V
Power consumption	10 W
Operating temperature	5°C to 40°C (41°F to 104°F)
Storage temperature	-20°C to +60°C (-4°F to +140°F)
Operating relative humidity	20% to 90% Less than 90%
Mass	1.4 kg (3 lb 1 oz)
External dimensions (w/h/d)	59 × 164 × 226 mm (2 ³ / ₈ × 6 ¹ / ₂ × 9 inches)



System

Reading/Writing formats

Video

MPEG HD (50/35/25/18 Mbps), MPEG IMX (50/40/30 Mbps), DVCAM (25 Mbps)

Proxy video

MPEG-4

Audio

MPEG HD: 16 bits/48 kHz (2/4ch) or 24 bits/48 kHz (8ch)

MPEG IMX: 16 bits/48 kHz (8 ch) or 24 bits/48 kHz (4 ch)

DVCAM: 16 bits/48 kHz (4 ch)

Proxy audio

A-law (8/4 channels, 8 bits, 8 kHz)

Recording/Playback times (single layer disc)

MPEG HD422

50 Mbps: Approx. 43 min.

MPEG HD (4 ch)

35 Mbps: Approx. 65 min.

25 Mbps: Approx. 85 min.

18 Mbps: Approx. 112 min.

MPEG HD (2 ch)

35 Mbps: Approx. 68 min.

25 Mbps: Approx. 90 min.

18 Mbps: Approx. 122 min.

MPEG IMX

50 Mbps: Approx. 45 min.

40 Mbps: Approx. 55 min.

30 Mbps: Approx. 68 min.

DVCAM: Approx. 85 min.

Recording/Playback times (dual-layer disc)

MPEG HD422

50 Mbps: Approx. 95 min.

MPEG HD (4 ch)

35 Mbps: Approx. 145 min.

25 Mbps: Approx. 190 min.

18 Mbps: Approx. 248 min.

MPEG HD (2 ch)

35 Mbps: Approx. 150 min.

25 Mbps: Approx. 200 min.

18 Mbps: Approx. 265 min.

DVCAM: Approx. 185 min.

Output/input connector

USB Connector (High-Speed USB support)

Accessories supplied

Operation manual (1)

PDW-U1 CD-ROM (1)

- XDCAM Drive Software
- Utility Software

XDCAM Application Software CD-ROM (1)

- PDZ-1 Proxy Browsing Software
- PDZ-VX10 XDCAM Viewer
- PDZK-P1 XDCAM Transfer

AC adaptor (1-468-626-6x) (1)

USB cable (1-757-429-2x) (1)

Accessories not supplied

AC power cord (1)

- For the customers in the U.S.A. and Canada
Part No. 1-757-562-1x (125 V, 7 A, about 2.0 m)
- For the customers in European countries
Part No. 1-575-131-8x (250 V, 2.5 A, about 2.0 m)

Design and specifications are subject to change without notice.

Notes

- Always make a test recording, and verify that it was recorded successfully. SONY WILL NOT BE LIABLE FOR DAMAGES OF ANY KIND INCLUDING, BUT NOT LIMITED TO, COMPENSATION OR REIMBURSEMENT ON ACCOUNT OF FAILURE OF THIS UNIT OR ITS RECORDING MEDIA, EXTERNAL STORAGE SYSTEMS OR ANY OTHER MEDIA OR STORAGE SYSTEMS TO RECORD CONTENT OF ANY TYPE.
- Always verify that the unit is operating properly before use. SONY WILL NOT BE LIABLE FOR DAMAGES OF ANY KIND INCLUDING, BUT NOT LIMITED TO, COMPENSATION OR REIMBURSEMENT ON ACCOUNT OF THE LOSS OF PRESENT OR PROSPECTIVE PROFITS DUE TO FAILURE OF THIS UNIT, EITHER DURING THE WARRANTY PERIOD OR AFTER EXPIRATION OF THE WARRANTY, OR FOR ANY OTHER REASON WHATSOEVER.

The material contained in this manual consists of information that is the property of Sony Corporation and is intended solely for use by the purchasers of the equipment described in this manual.

Sony Corporation expressly prohibits the duplication of any portion of this manual or the use thereof for any purpose other than the operation or maintenance of the equipment described in this manual without the express written permission of Sony Corporation.

For Customer in China

根据中华人民共和国信息产业部第39号令《电子信息产品污染控制管理办法》及标准中要求的“有毒有害物质或元素名称及含量”等信息，本产品相关信息请参考以下链接：

<http://pro.sony.com.cn>